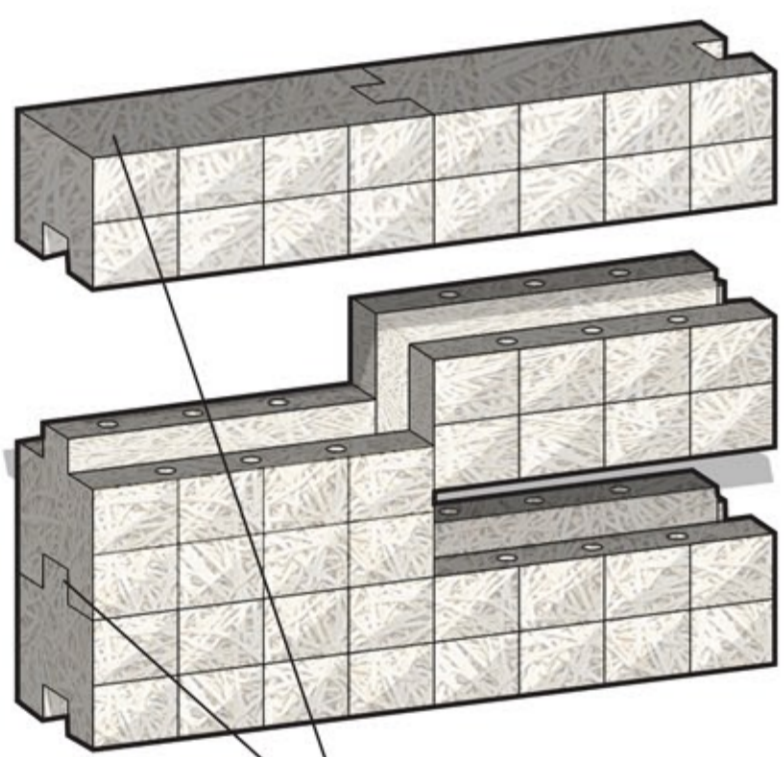
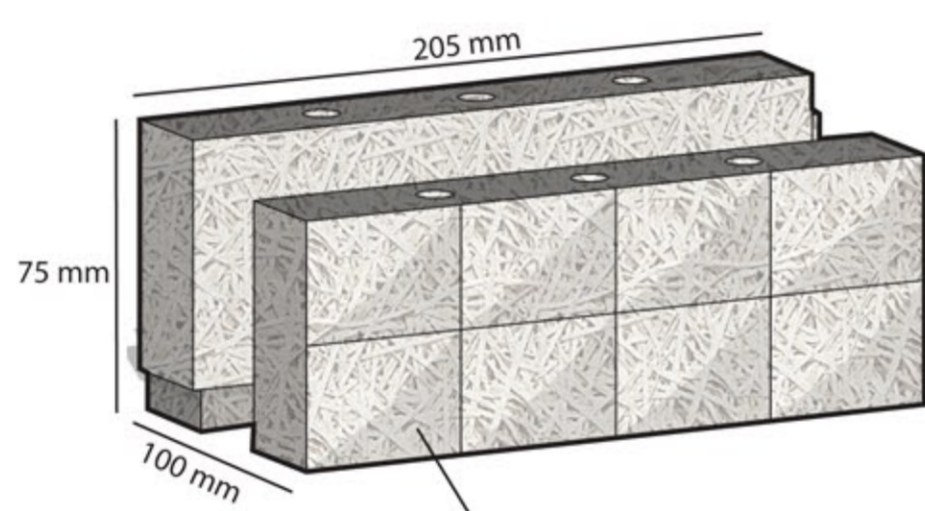




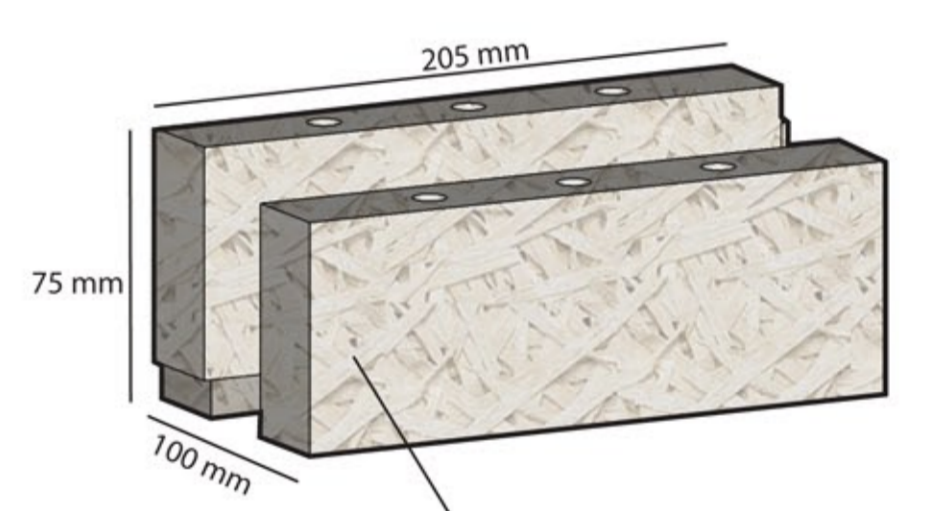
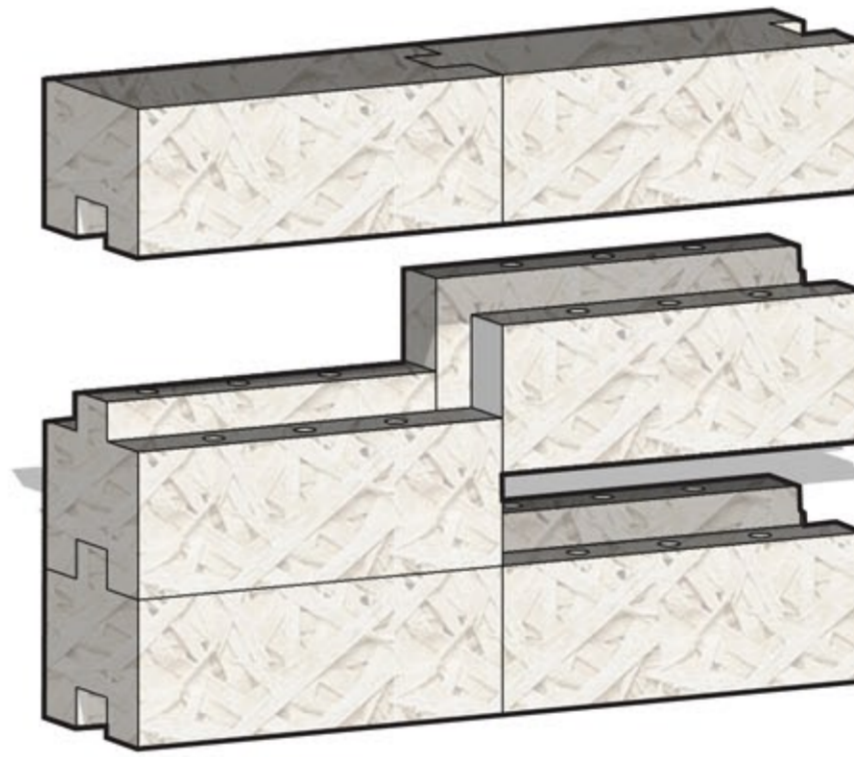
# THE TROLDTEKT BLOCK



top and side blocks with flat surfaces for smooth ending



textured surface



flat surface

The troldekt block is a stackable building block that consists out of the same material as the Troldekt acoustic panels - wood wool and white or grey cement. The block is moulded.

The building block was designed to slide into eachother in order to avoid having to use additional connecting materials. The idea is to build a wall or/and partitioning (non structural) by stacking the troldekt block to the required height and length.

Stability is given by screwing the first blocks of the wall to the floor. Furthermore the block features 9 holes which can serve as the space for the screw.

There are 2 different surface types to the troldekt block. One of them being flat, the other with surface texture to add visual as well as tactile appeal.

This solution offers home owners or developers the possibility to quickly create spaces and at the same time provide good acoustics. The product can be installed easily and without further knowledge.

The width of the troldekt block is slimmer than common bricks so that not too much space is taken up by them.

